



WEICHAI

WE215F

EXCAVATOR

WE AIM AT CUSTOMERS' SATISFACTION.

Rated Power 129kW/2000rpm

Operating Weight 21800kg

Bucket Capacity 1.1m³



HS MACHINERY & EQUIPMENT SDN. BHD. (200601014090 (0733841-D))



PMT 1280, Lorong Perusahaan Sg. Lokan 3, Kawasan Perusahaan
Sungai Lokan, 13800 Butterworth, Pulau Pinang, Malaysia.



enquiry@hsg.com.my



04-356 7668



www.hsg.com.my



TECHNICAL SPECIFICATIONS



Engine

Engine Model	WEICHAI WP6G
Number of Cylinders	6
Max. Torque/Speed	710N·m/1600rpm
Displacement	6.75L



Main Performance

Bucket Digging Force	133kN
Arm Digging Force	106kN
Max. Traction Force	232kN
Max. Walking Speed	5.8km/h
Min. Walking Speed	3.6km/h
Rotary Speed	11r/min
Gradeability	35°
Ground Pressure	37kPa



Hydraulic system

Max. Main Pump Flow	125L×2
Main Safety Valve Pressure	34.3/40MPa



Oil Capacity

Fuel Tank	420L
Hydraulic Tank	206L
Engine Oil	19.5L



Working Range

Max. Digging Height	1	9915mm
Max. Dumping Height	2	7140mm
Max. Digging Depth	3	6630mm
Max. Vertical Digging Depth	4	6175mm
Max. Digging Radius	5	9845mm
Max. Ground Digging Radius	6	9660mm
Min. Turning Radius	7	3255mm



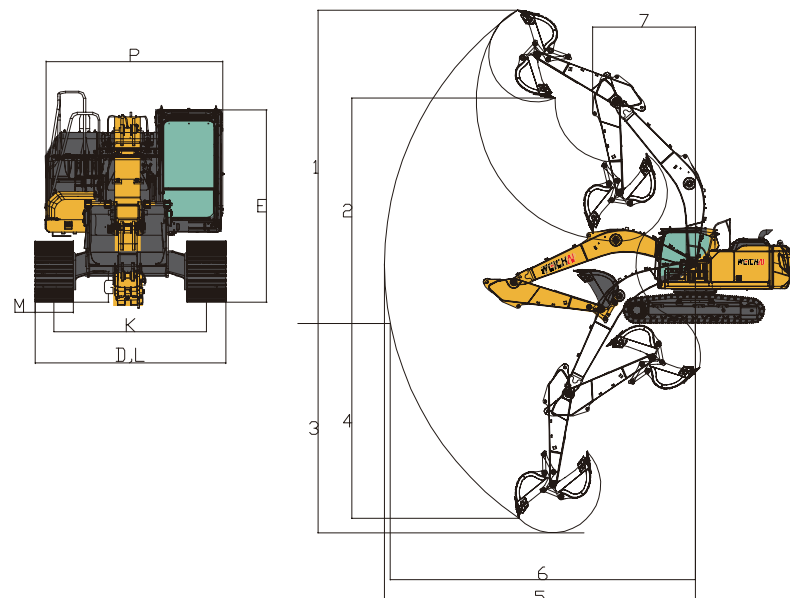
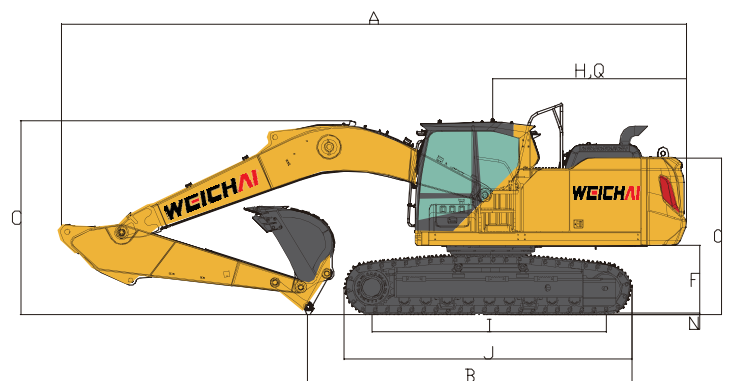
Other Specifications

Boom Length	5700mm
Arm Length	2925mm
Track Section Number (each side)	45
Track Roller Number	7



Dimensions

Shipping Length	A	9680mm
Shipping Ground Length	B	/
Boom Height	C	3322mm
Shipping Width	D	3000mm
Cab Height	E	3046mm
Ground Clearance of Counter Weight	F	1085mm
Min. Ground Clearance	G	467mm
Tail Turning Radius	H	2980mm
Length to Center of Rollers	I	3360mm
Track Length	J	4155mm
Track Gauge	K	2200mm
Track Shoe Width	L	800mm
Hood Height	M	/
Rotary Platform Width	N	2740mm





WEICHAI

WE375F

EXCAVATOR

WE AIM AT CUSTOMERS' SATISFACTION.

Engine Model	WEICHAI WP10.5H
Rated Power	247kW/2000rpm
Operating Weight	37000KG
Bucket Capacity	1.9 m ³



HS MACHINERY & EQUIPMENT SDN. BHD. (200601014090 (0733841-D)



PMT 1280, Lorong Perusahaan Sg. Lokan 3, Kawasan Perusahaan
Sungai Lokan, 13800 Butterworth, Pulau Pinang, Malaysia.



enquiry@hsg.com.my



04-356 7668



www.hsg.com.my



TECHNICAL SPECIFICATIONS

Main Parameters

Operating Weight, kg	37000
Travel Speed, km/h	5.6/3.4
Swing Speed, r/min	9.5
Boom Length, mm	6500
Arm Length, mm	2800
Bucket Breakout Force, kN	221
Arm Crowd Force, kN	192
Max. Tracking Force, kN	248
Grade Ability 35, %	35
Ground Pressure, kPa	73

Power Module

Engine

Manufacturer	WEICHAI
Model	WP10.5H
Number of Cylinders	6
Aspirating method	Turbocharged, intercooled
Displacement, L	10.5
Max. Torque, N·m/rpm	1470/(1300-1500)
Rated Speed, rpm	2000
Rated Power, kW	247

Engine Oil

Oil Capacity, L	52
-----------------	----

Fuel Tank

Capacity, L	630
-------------	-----

Platform Module

Type	Side-mounted With Tail
------	------------------------

Hydraulic Module

Main Pump

Brand	LINDE
Model	HPR210D
Max. Flow, L/min	685
Main Pump Type	Variable Piston Pump

Main Valve

Brand	LINDE
Model	OCV32
Quantity	1
Main Valve Type	Hydraulic Control
Maximum Flow, L/min	685

Swin Motor

Brand	LINDE
Model	HMF180
Quantity	1
Overflow Pressure, Mpa	31.5

Travel Motor

Brand	EDDIE
Model	FTM60A
Quantity	2
Overflow Pressure, Mpa	34.3

Main Safety Valve Pressure, Mpa

34.3

Hydraulic Oil Tank

Capacity, L	316
-------------	-----

Chassis Module

Type	Fixed track, X-frame
------	----------------------

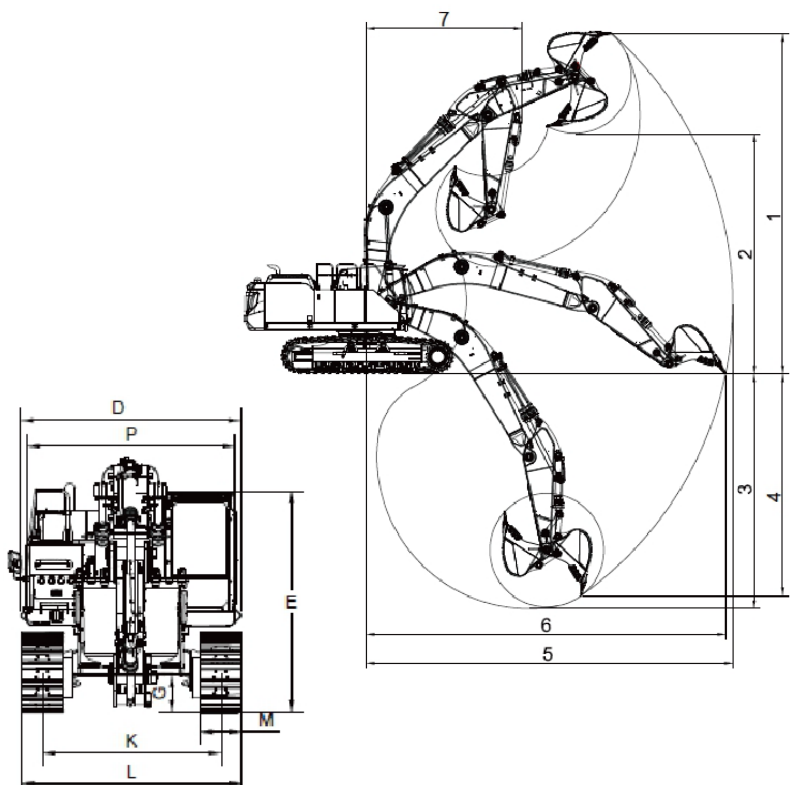
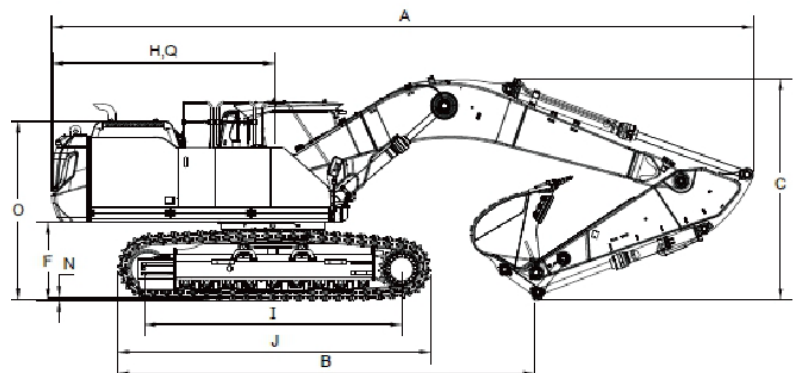
Track

Track Shoe Width, mm	600 Double-Rib Tracks
Track Section Quantity (section)	49

Track Roller

Quantity (one side)	9
---------------------	---

A	Total Length, mm	11350
B	Shipping Ground Length, mm	6760
C	Boom Height, mm	3615
D	Shipping Width, mm	3200
E	Cab Height, mm	3246
F	Ground Clearance of Counter Weight, mm	1224
G	Min. Ground Clearance, mm	516
H	Rear-end Swing Radius, mm	3610
I	Ground Contact Length of Crawler, mm	4140
J	Track Length, mm	5070
K	Track Gauge, mm	2590
L	Undercarriage Width, mm	3190
M	Std. track Shoe Width, mm	600
N	Track Teeth Height, mm	36
O	Hood Height, mm	2892
P	Rotary Platform Width, mm	3025
Q	Distance From Rotation Center To Rear End, mm	3610
1	Max. Cutting Height, mm	10025
2	Max. Dumping Height, mm	7070
3	Max. Digging Depth, mm	6960
4	Max. Vertical Excavating Depth, mm	4707
5	Max. Excavating Radius, mm	10770
6	Max. Excavating Radius at Floor Level, mm	10556
7	Min. Swing Radius, mm	4427





WEICHAI

WE560F

EXCAVATOR

WE AIM AT CUSTOMERS' SATISFACTION.

Engine Model	WECHAI WP 14T
Rated Power	562kW/1900rpm
Operating Weight	53400kg
Bucket Capacity	3.6m ³



HS MACHINERY & EQUIPMENT SDN. BHD. (200601014090 (0733841-D))



PMT 1280, Lorong Perusahaan Sg. Lokan 3, Kawasan Perusahaan
Sungai Lokan, 13800 Butterworth, Pulau Pinang, Malaysia.



enquiry@hsg.com.my



04-356 7668



www.hsg.com.my



TECHNICAL SPECIFICATIONS

Main Parameters

Operating Weight, kg	53400
Travel Speed, km/h	5.4/3.2
Swing Speed, r/min	6.9
Boom Length, mm	6900
Arm Length, mm	2900
Bucket Breakout Force, kN	314
Arm Crowd Force, kN	250
Max. Tracking Force, kN	288.4
Grade Ability 35, %	70
Ground Pressure, kPa	90.8

Power Module

Engine

Manufacturer	WEICHAI
Model	WP14T
Number of Cylinders	6
Aspirating Method	Turbocharged
Displacement, L	13.5
Max. Torque, N·m/rpm	2900/1200-1500
Rated Power, kW/rpm	562/1900

Engine Oil

Oil Capacity, L	38
-----------------	----

Fuel Tank

Capacity, L	780
-------------	-----

Platform Module

Type	Side-mounted With Tail
------	------------------------

Hydraulic Module

Main Pump

Brand	WEICHAI
Model	V90N252DHPHRE1
Max. Flow, L/min	766.1
Main Pump Type	Variable Displacement Piston Pump 2 + Gear Pump

Main Valve

Brand	WEICHAI
Model	OCV32
Maximum Flow, L/min	450*2

Swin Motor

Model	HM5X250
Overflow Pressure, Mpa	27

Travel Motor

Brand	EDDIE
Model	FTM85A
Overflow Pressure, Mpa	34.3

Main Safety Valve Pressure, Mpa

34.3

Hydraulic Oil Tank

Capacity, L	450
-------------	-----

Chassis Module

Type	Fixed track, X-frame
------	----------------------

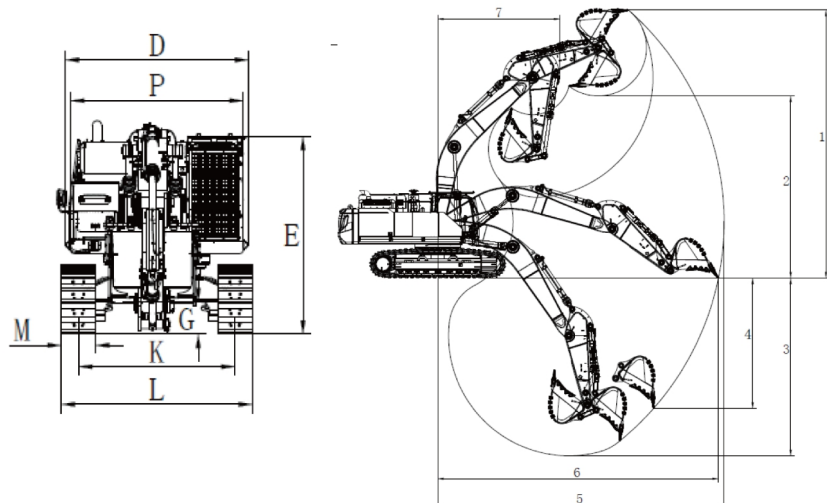
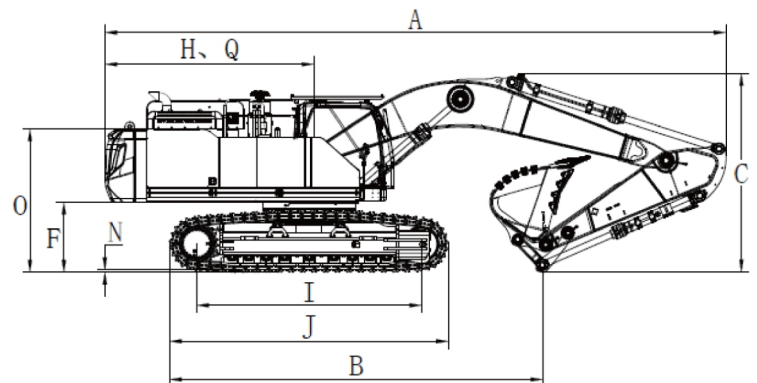
Track

Track Shoe Width, mm	800
----------------------	-----

Track Roller

Quantity (one side)	9
---------------------	---

A	Total Length, mm	12240
B	Shipping Ground Length, mm	7375
C	Boom Height, mm	3915
D	Shipping Width, mm	3340
E	Cab Height, mm	3396
F	Ground Clearance of Counter Weight, mm	1410
G	Min. Ground Clearance, mm	568
H	Rear-end Swing Radius, mm	4040
I	Ground Contact Length of Crawler, mm	4430
J	Track Length, mm	5500
K	Track Gauge, mm	2740
L	Undercarriage Width, mm	3340
M	Std. track Shoe Width, mm	600
N	Track Teeth Height, mm	48
O	Hood Height, mm	2795
P	Rotary Platform Width, mm	3190
1	Max. Cutting Height, mm	10675
2	Max. Dumping Height, mm	7345
3	Max. Digging Depth, mm	7175
4	Max. Vertical Excavating Depth, mm	6663
5	Max. Excavating Radius, mm	11545
6	Max. Excavating Radius at Floor Level, mm	11317
7	Min. Swing Radius, mm	4939





WEICHAI

WE750F

EXCAVATOR

WE AIM AT CUSTOMERS' SATISFACTION.

Engine Model	WEICHAI WP15H
Rated Power	566KW/1900rpm
Operating Weight	71580KG
Bucket Capacity	4.5-5.0M ³



HS MACHINERY & EQUIPMENT SDN. BHD. (200601014090 (0733841-D))



PMT 1280, Lorong Perusahaan Sg. Lokan 3, Kawasan Perusahaan
Sungai Lokan, 13800 Butterworth, Pulau Pinang, Malaysia.



enquiry@hsg.com.my



04-356 7668



www.hsg.com.my



TECHNICAL SPECIFICATIONS

Main Parameters

Operating Weight, kg	71580
Travel Speed, km/h	4.3/2.8
Swing Speed, r/min	6.3
Boom Length, mm	6800
Arm Length, mm	2800
Bucket Breakout Force, kN	404
Arm Crowd Force, kN	348
Max. Tracking Force, kN	416.2
Grade Ability 35, %	70
Ground Pressure, kPa	86.4

Power Module

Engine

Manufacturer	WEICHAI
Model	WP15H
Number of Cylinders	6
Aspirating Method	Turbocharged
Displacement, L	15.33
Max. Torque, N·m/rpm	2900/1200-1600
Rated Power, kW/rpm	566/1900

Engine Oil

Oil Capacity, L	60
-----------------	----

Fuel Tank

Capacity, L	940
-------------	-----

Platform Module

Type	Side-mounted With Tail
------	------------------------

Hydraulic Module

Main Pump

Brand	WEICHAI
Model	HPR300D
Max. Flow, L/min	855.0
Main Pump Type	Variable Displacement Piston Pump 2 + Gear Pump

Main Valve

Brand	WEICHAI
Model	OCV36E
Maximum Flow, L/min	550*2

Swin Motor

Brand	HENGLI
Model	HM5X180CHB
Overflow Pressure, Mpa	29

Travel Motor

Brand	KYB
Model	MSF-340VP-FH23
Overflow Pressure, Mpa	36.8

Main Safety Valve Pressure, Mpa

	35
--	----

Hydraulic Oil Tank

Capacity, L	640
-------------	-----

Chassis Module

Type	H-frame track switch
------	----------------------

Track

Track Shoe Width, mm	600-800
----------------------	---------

Track Roller

Quantity (one side)	9
---------------------	---

A	Total Length, mm	12560
B	Shipping Ground Length, mm	7900
C	Boom Height, mm	4240
D	Shipping Width, mm	4250
E	Cab Height, mm	3560
F	Ground Clearance of Counter Weight, mm	1574
G	Min. Ground Clearance, mm	871
H	Rear-end Swing Radius, mm	4330
I	Ground Contact Length of Crawler, mm	4570
J	Track Length, mm	5810
K	Track Gauge, mm	2810/3350
L	Undercarriage Width, mm	3610/4150
M	Std. track Shoe Width, mm	800
P	Rotary Platform Width, mm	4250
1	Max. Cutting Height, mm	11345
2	Max. Dumping Height, mm	7475
3	Max. Digging Depth, mm	6800
4	Max. Vertical Excavating Depth, mm	4358
5	Max. Excavating Radius, mm	11550
6	Max. Excavating Radius at Floor Level, mm	11260
7	Min. Swing Radius, mm	4754

