

SHANTUI

SR12-B6

Road Roller

Focus on soil compaction
road construction expert



Engine Model: Weichai WP4G130E22
Gross Power: 97.5kW @ 2200rpm
Operating Weight: 12,000kg



SR12-B6 SPECIFICATIONS

SHANTUI
LET'S MAKE CONSTRUCTION EASIER

ENGINE

Model	Weichai WP4G130E22
Number of Cylinders	4
Type	4-cycle, Direct Injection, Water-cooled
Aspiration	Turbocharged
Bore x Stroke	105*130mm
Displacement	4.5L
Gross Power	97.5kW @ 2200rpm
Max. Torque	560N.m @ 1400~1600rpm
Rated Fuel Consumption	215g/kW.h
Emission	China-II

POWER TRAIN

Type	Hydrostatic, All-wheel Drive
Driving Pump	Mechanical Control, Variable Piston Pump 75ml/r
Axle Drive	Variable Piston Motor
Drum Drive	Constant Piston Motor
Tire	23.1-26-8PR/20.5-25-16PR
Max. Grade Ability	48%
Forward, I, II	0~5.3km/h, 0~9.9km/h
Reverse, I, II	0~5.3km/h, 0~9.9km/h

STEERING

Type	Hydraulic Power, Articulated Steering
Steering Angle	±33°
Oscillating Angle	±12°
Min. Turning Radius	6400mm

BRAKES

Service Brake	Hydraulic Inertia Brake
Parking Brake	Multi-disc Brake, Hydraulic Control
Emergency Brake	Hydraulic Inertia Brake & Multi-disc Brake

DRUM

Width	2130mm
Diameter	1500mm
Drum Shell Thickness	20mm

VIBRATION

Type	Hydrostatic, Electric Control
Vibration Pump	Variable Piston Pump
Vibration Motor	Constant Piston Motor
Frequency, Low	30Hz
Frequency, High	36Hz
Amplitude, High	2mm
Amplitude, Low	1mm
Centrifugal Force, Maximum	290kN
Centrifugal Force, Minimum	200kN

CAPACITIES

Fuel Tank	260L
Hydraulic Oil Tank	100L
Engine Coolant	17L
Engine Crank Case	11L

ELECTRICAL SYSTEM

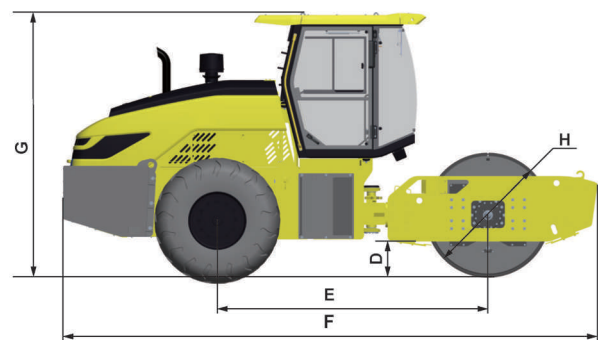
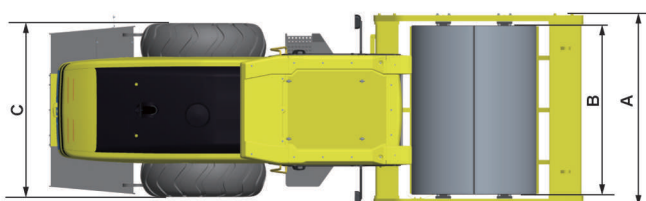
Battery	2x12V, 120Ah
Alternator	28V, 80A
Starter Motor	24V, 6kW

WEIGHT

Operating Weight	12000kg
Axle Load, Drum	7000kg
Axle Load, Wheel	5000kg
Static Linear Load (at Drum)	327N/cm

DIMENSIONS CAB

A	2305mm
B	2130mm
C	2180mm
D	360mm
E	3100mm
F	5890mm
G	3160mm
H	1500mm



* THE SPECIFICATIONS ARE SUBJECT TO CHANGE WITHOUT NOTICE. THE PICTURES MAY INCLUDE OPTIONS. THE ACTUAL COLOR & APPEARANCE OF THE PRODUCT MAY DIFFER FROM WHAT IS SHOWN.

HS MACHINERY & EQUIPMENT SDN. BHD.



SHOWROOM

PMT 1280, Lorong Perusahaan Sg. Lokan 3,
Kawasan Perusahaan Sg. Lokan 13800 B.W.

Tel: 04-356 7668 Fax: 04-356 7669

www.hsg.com.my

SHANTUI

SR26-C5

Road Roller

Focus on soil compaction
road construction expert



Engine Model: Weichai WP6G220E330
Gross Power: 162kW @ 2200rpm
Operating Weight: 26,000kg



SR26-C5 SPECIFICATIONS

ENGINE	
Model	Weichai WP6G220E330
Number of Cylinders	6
Type	4-cycle, Electronic Injection, Water-cooled
Aspiration	Turbocharged
Bore x Stroke	105*130mm
Displacement	6.75L
Gross Power	162kW @ 2200rpm
Max. Torque	860Nm
Rated Fuel Consumption	215g/kW.h
Emission	China-III

POWER TRAIN	
Type	Hydrostatic, Rear Wheel Drive
Driving Pump	Variable Piston Pump
Axle Drive	Variable Piston Motor
Tire	23.1-26-12PR
Max. Grade Ability	45%
Forward,I,II	0-4.1km/h, 0-5.3km/h, 0-5.8km/h,0-9.5km/h
Reverse,I,II	0-4.1km/h, 0-5.3km/h, 0-5.8km/h,0-9.5km/h

STEERING	
Type	Hydraulic Power, Articulated Steering
Steering Angle	±35°
Oscillating Angle	±12°
Min. Turning Radius	6100mm

BRAKES	
Service Brake	Hydraulic Type
Parking Brake	Hydraulic Type
Emergency Brake	Hydraulic Type

DRUM	SMOOTH DRUM	PADFOOT DRUM
Width	2170mm	2170mm
Diameter	1600mm	1800mm
Drum Shell Thickness	40mm	40mm
Number of Pad Feet	-	150
Height of Pad Feet	-	95mm

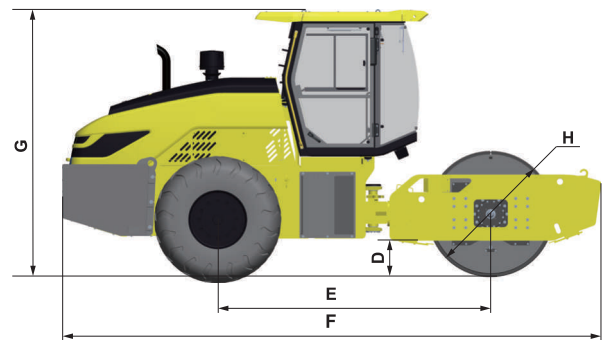
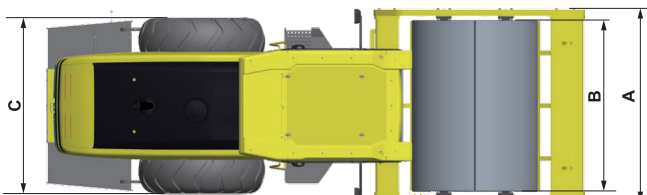
VIBRATION	SMOOTH DRUM	PADFOOT DRUM
Type	Hydrostatic, Electric Control	
Vibration Pump	Variable Piston Pump	
Vibration Motor	Constant Piston Motor	
Frequency, Low	35Hz	35Hz
Frequency, High	29Hz	29Hz
Amplitude, High	2.0mm	1.7mm
Amplitude, Low	1.0mm	0.9mm
Centrifugal Force, Maximum	500kN	500kN
Centrifugal Force, Minimum	365kN	365kN

CAPACITIES	
Fuel Tank	300L
Hydraulic Oil Tank	150L
Engine Coolant	30L
Engine Crank Case	24L

ELECTRICAL SYSTEM	
Battery	2x12V
Alternator	28V
Starter Motor	24V

WEIGHT	SMOOTH DRUM	PADFOOT DRUM
Operating Weight	25800kg	27000kg
Axle Load, Drum	16800kg	18000kg
Axle Load, Wheel	9000kg	9000kg
Static Linear Load (at Drum)	760N/cm	843N/cm

DIMENSIONS	SMOOTH DRUM	PADFOOT DRUM
A	2440mm	2400mm
B	2170mm	2170mm
C	2210mm	2210mm
D	420mm	420mm
E	3360mm	3360mm
F	6680mm	6680mm
G	3160mm	3160mm
H	1600mm	1800mm



* THE SPECIFICATIONS ARE SUBJECT TO CHANGE WITHOUT NOTICE. THE PICTURES MAY INCLUDE OPTIONS. THE ACTUAL COLOR & APPEARANCE OF THE PRODUCT MAY DIFFER FROM WHAT IS SHOWN.

HS MACHINERY & EQUIPMENT SDN. BHD.



SHOWROOM
PMT 1280, Lorong Perusahaan Sg. Lokan 3,
Kawasan Perusahaan Sg. Lokan 13800 B.W.
Tel: 04-356 7668 Fax: 04-356 7669
www.hsg.com.my

SHANTUI

SR26-C5

Road Roller

Focus on soil compaction
road construction expert



Engine Model: Weichai WP6G220E330
Gross Power: 162kW @ 2200rpm
Operating Weight: 26,000kg



SR26-C5 SPECIFICATIONS

ENGINE	
Model	Weichai WP6G220E330
Number of Cylinders	6
Type	4-cycle, Electronic Injection, Water-cooled
Aspiration	Turbocharged
Bore x Stroke	105*130mm
Displacement	6.75L
Gross Power	162kW @ 2200rpm
Max. Torque	860Nm
Rated Fuel Consumption	215g/kW.h
Emission	China-III

POWER TRAIN	
Type	Hydrostatic, Rear Wheel Drive
Driving Pump	Variable Piston Pump
Axle Drive	Variable Piston Motor
Tire	23.1-26-12PR
Max. Grade Ability	45%
Forward,I,II	0-4.1km/h, 0-5.3km/h, 0-5.8km/h,0-9.5km/h
Reverse,I,II	0-4.1km/h, 0-5.3km/h, 0-5.8km/h,0-9.5km/h

STEERING	
Type	Hydraulic Power, Articulated Steering
Steering Angle	±35°
Oscillating Angle	±12°
Min. Turning Radius	6100mm

BRAKES	
Service Brake	Hydraulic Type
Parking Brake	Hydraulic Type
Emergency Brake	Hydraulic Type

DRUM	SMOOTH DRUM	PADFOOT DRUM
Width	2170mm	2170mm
Diameter	1600mm	1800mm
Drum Shell Thickness	40mm	40mm
Number of Pad Feet	-	150
Height of Pad Feet	-	95mm

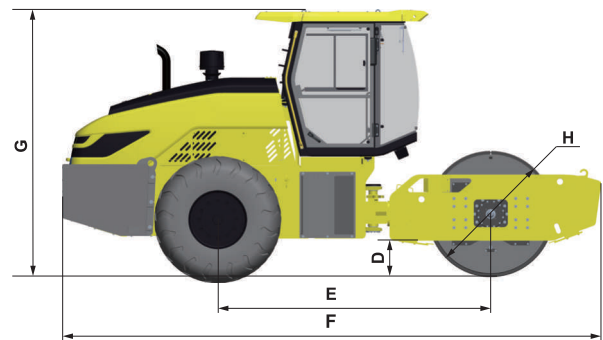
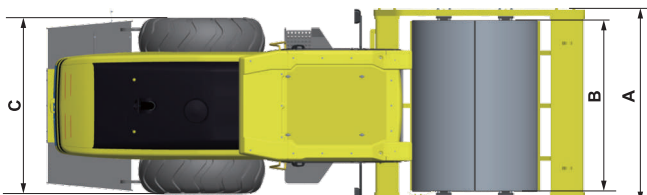
VIBRATION	SMOOTH DRUM	PADFOOT DRUM
Type	Hydrostatic, Electric Control	
Vibration Pump	Variable Piston Pump	
Vibration Motor	Constant Piston Motor	
Frequency, Low	35Hz	35Hz
Frequency, High	29Hz	29Hz
Amplitude, High	2.0mm	1.7mm
Amplitude, Low	1.0mm	0.9mm
Centrifugal Force, Maximum	500kN	500kN
Centrifugal Force, Minimum	365kN	365kN

CAPACITIES	
Fuel Tank	300L
Hydraulic Oil Tank	150L
Engine Coolant	30L
Engine Crank Case	24L

ELECTRICAL SYSTEM	
Battery	2x12V
Alternator	28V
Starter Motor	24V

WEIGHT	SMOOTH DRUM	PADFOOT DRUM
Operating Weight	25800kg	27000kg
Axle Load, Drum	16800kg	18000kg
Axle Load, Wheel	9000kg	9000kg
Static Linear Load (at Drum)	760N/cm	843N/cm

DIMENSIONS	SMOOTH DRUM	PADFOOT DRUM
A	2440mm	2400mm
B	2170mm	2170mm
C	2210mm	2210mm
D	420mm	420mm
E	3360mm	3360mm
F	6680mm	6680mm
G	3160mm	3160mm
H	1600mm	1800mm



* THE SPECIFICATIONS ARE SUBJECT TO CHANGE WITHOUT NOTICE. THE PICTURES MAY INCLUDE OPTIONS. THE ACTUAL COLOR & APPEARANCE OF THE PRODUCT MAY DIFFER FROM WHAT IS SHOWN.

HS MACHINERY & EQUIPMENT SDN. BHD.



SHOWROOM
PMT 1280, Lorong Perusahaan Sg. Lokan 3,
Kawasan Perusahaan Sg. Lokan 13800 B.W.
Tel: 04-356 7668 Fax: 04-356 7669
www.hsg.com.my